

# ACCESSORIES

## Motorization Kits

Standard with rain sensor and remote



Solar Motor



Finestra FT Motor

## Telescopic Poles

Extends from 6 to 10 Feet



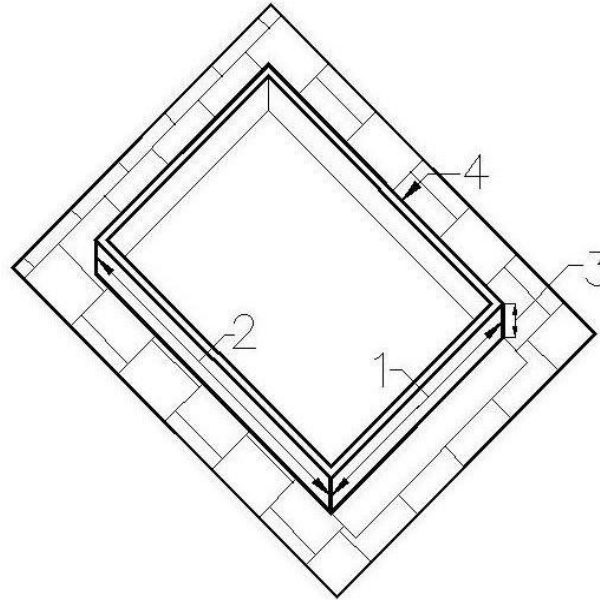
## Pleated Shades



Light filtering and Room darkening material available. Manual or Motorized (Rechargeable Battery or Solar Powered)

## For Easier Ordering of your Skylight Top Replacement

### Existing Skylight Curb Dimensions:



- |        |                                       |                                    |
|--------|---------------------------------------|------------------------------------|
|        | <input type="checkbox"/> Fixed        | <input type="checkbox"/> Vented    |
| Glass: | <input type="checkbox"/> Clear        | <input type="checkbox"/> Bronze    |
| Curb:  | <input type="checkbox"/> Pitched Roof | <input type="checkbox"/> Flat Roof |

### Measurements Needed:

- 1) Curb width in inches \_\_\_\_\_
- 2) Curb length in inches \_\_\_\_\_
- 3) Curb height above roof \_\_\_\_\_
- 4) Thickness of curb in inches \_\_\_\_\_

## **SUPREME SKYLIGHTS INC.**

2185 Fifth Avenue  
 Ronkonkoma, NY 11779  
 Phone (631)738-0324  
 Fax (631)738-0325  
[www.supremeskylights.com](http://www.supremeskylights.com)



## **Curb Mounted / Replacement Tops**

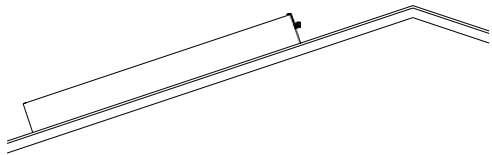
Please read these instructions carefully and completely prior to top installation



Supreme Skylights make it easy to replace your existing top to increase thermal performance while making your skylight look new. We can manufacture almost any size top to fit your existing or site build curb.

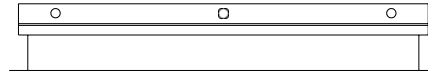
# TOP INSTALLATION

- 1- Remove the existing top and any exterior components from the existing skylight curb.
- 2- Remove the backer from the adhesive butyl strips on the backside of the new hinge bar.
- 3- Apply the new hinge bar to the existing curb on the side which is closest and parallel to the ridge of the roof. (As shown in illustration A)



**Illustration A**

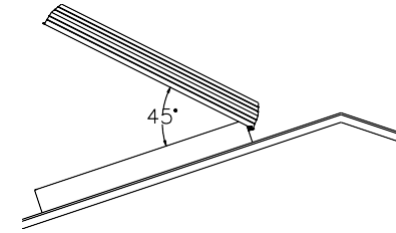
For flat roof installations, attach hinge bar on the taller side of the existing curb.



**Illustration B**

The top of the hinge bar has a 1/8" flange which will rest on the top edge of the curb for alignment purposes. The hinge bar will extend beyond the width of the curb by approximately 1/2" on each side, spaced evenly (as shown in illustration B). The adhesive butyl strips will hold the hinge bar in place until the screws (included) are installed through the hinge bar into the curb.

- 4- Once the hinge bar has been fastened, place the top on the skylight curb. Now lift the front of the top to a 45° angle to the curb. (As shown in illustration C)



**Illustration C**

Lock the top onto the hinge bar by lowering the top and allowing it to rest on the existing curb.

- 5- Attach the opposite end of the top with the two screws on fixed skylights or the sash pin through the operator chain on vented skylights.
- 6- Note: Apply slight downward pressure to the top to compress the santoprene gasket onto the curb when securing the screws on the fixed skylights. On the vented skylight visually inspect that the santoprene gasket has made full contact with the curb.
- 7- Enjoy your newly retrofitted skylight.