

ACCESSORIES AVAILABLE

Motorization Kits



Telescopic Poles

6 feet in length,
extending to 10 feet

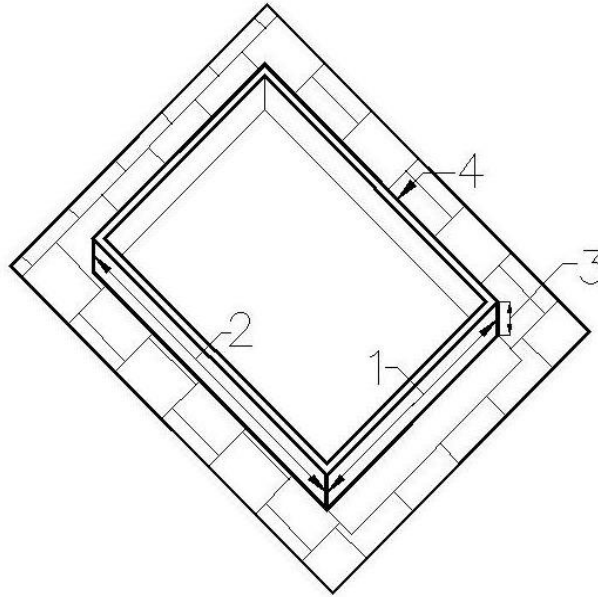


Pleated Shades

Light filtering
material is our
standard. Room
darkening material
is also available.

For Easier Ordering of your Skylight Hatch Replacement

Existing Skylight Curb Dimensions:



- | | |
|---|------------------------------------|
| <input type="checkbox"/> Fixed | <input type="checkbox"/> Vented |
| Glass: <input type="checkbox"/> Clear | <input type="checkbox"/> Bronze |
| Curb: <input type="checkbox"/> Pitched Roof | <input type="checkbox"/> Flat Roof |

Measurements Needed:

- 1) Skylight width in inches _____
- 2) Skylight length in inches _____
- 3) Curb height above roof _____
- 4) Thickness of curb in inches _____

SUPREME SKYLIGHTS INC.

2185 Fifth Avenue
Ronkonkoma, NY 11779
Phone (631)738-0324
Fax (631)738-0325
www.supremeskylights.com



Replacement Hatch/ Curb Mounted Skylights



Supreme Skylights will manufacture a replacement hatch to fit most skylight manufacturers. So if you have an existing skylight and only the top needs to be replaced, turn to us and we can make your old skylight new again.

HATCH INSTALLATION

- 1- Remove the existing hatch and any exterior components from the existing skylight curb.
- 2- Remove the backer from the adhesive strips on the backside of the new hinge bar.
- 3- Apply the new hinge bar to the existing curb on the side which is closest and parallel to the ridge of the roof. (As shown in illustration A)

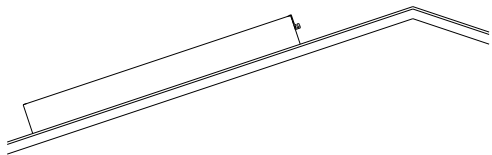


Illustration A

For flat roof installations, attach hinge bar on the taller side of the existing curb.

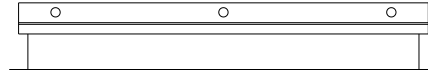


Illustration B

The top of the hinge bar has a 1/8" flange which will rest on the top edge of the curb for alignment purposes. The hinge bar will extend beyond the width of the curb by approximately 1/2" on each side, spaced evenly (as shown in illustration B). The adhesive strips will hold the hinge bar in place until the screws (included) are installed through the hinge bar into the curb.

- 4- Once the hinge bar has been fastened, place the hatch on the skylight curb. Now lift the front of the hatch to a 45° angle to the curb. (As shown in illustration C)

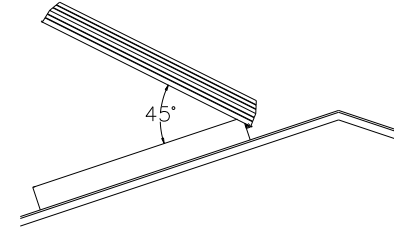


Illustration C

Lock the hatch onto the hinge bar by lowering the hatch and allowing it to rest on the existing curb.

- 5- Attach the opposite end of the hatch with the two screws on fixed skylights or the sash pin through the operator chain on vented skylights.
- 6- Note: Apply downward pressure to the hatch to compress the santoprene gasket onto the curb when securing the screws on the fixed skylights. On the vented skylight visually inspect that the santoprene gasket has made full contact with the curb.
- 7- Enjoy your newly retrofitted skylight.