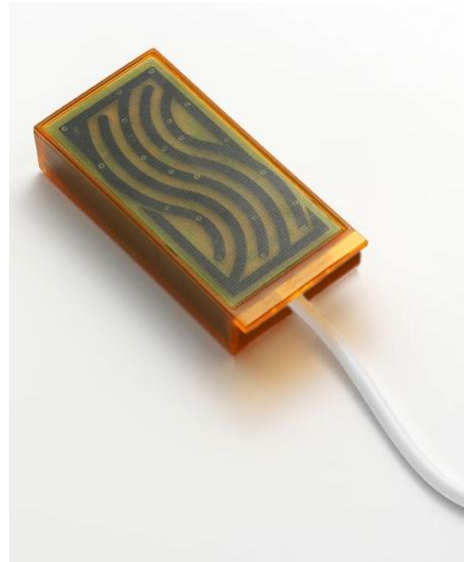


# Marvel™

---

## ***RF Motor Control Pack & Rain Sensor Installation Instructions***



### **Danger**

To help prevent  
severe  
personal injury  
or death

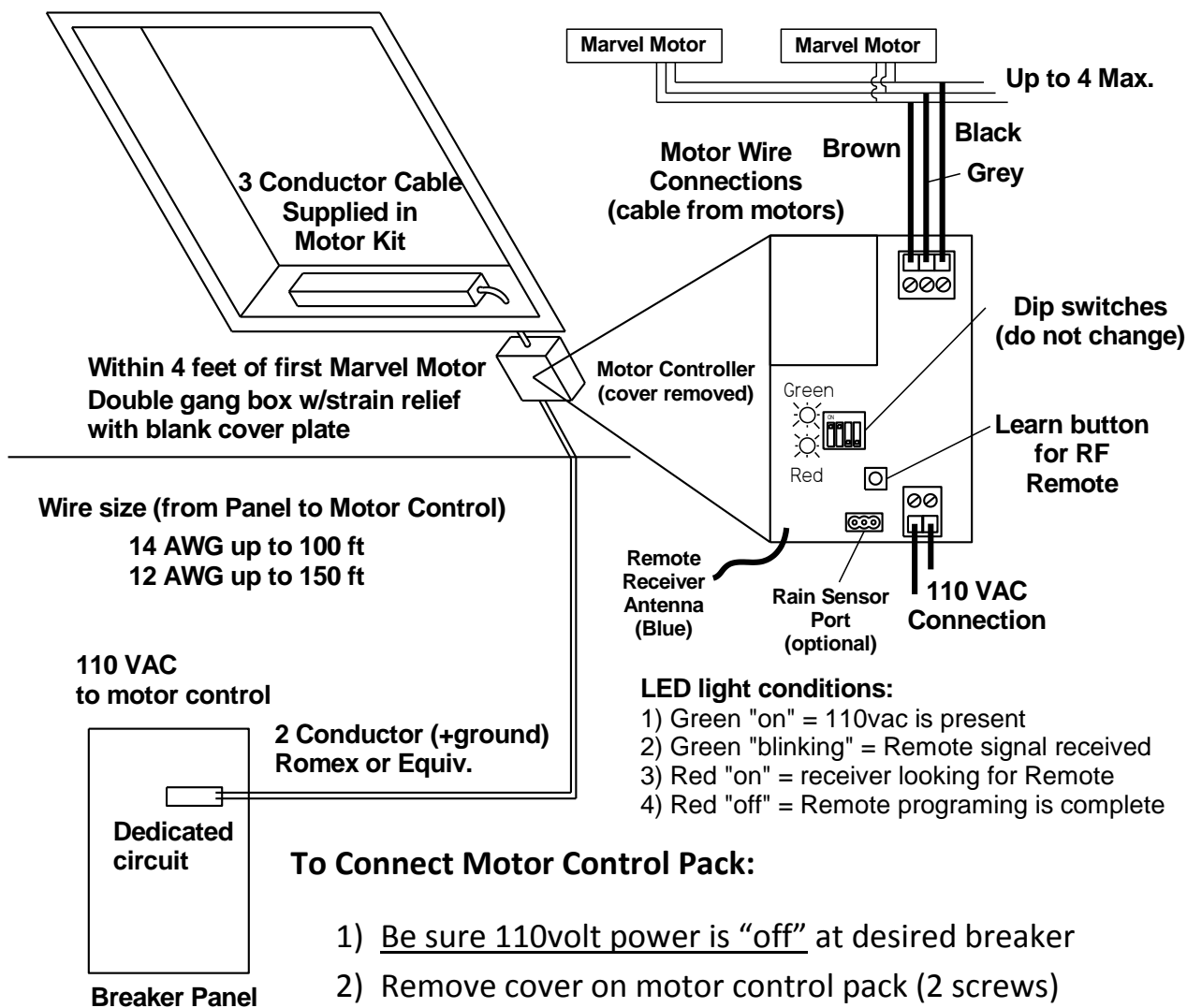
- Read and understand instructions completely before beginning installation.
- Wiring must be installed according to local and National Electrical Codes (N.E.C.)
- Disconnect main power before beginning installation! Verify that power is OFF at the main breaker or fuse panel by testing



**Truth Hardware**  
700 West Bridge St.  
Owatonna, MN 55060  
[www.truth.com](http://www.truth.com)  
Form No. 90288 R2

# RF Motor Control Pack Wiring Instructions

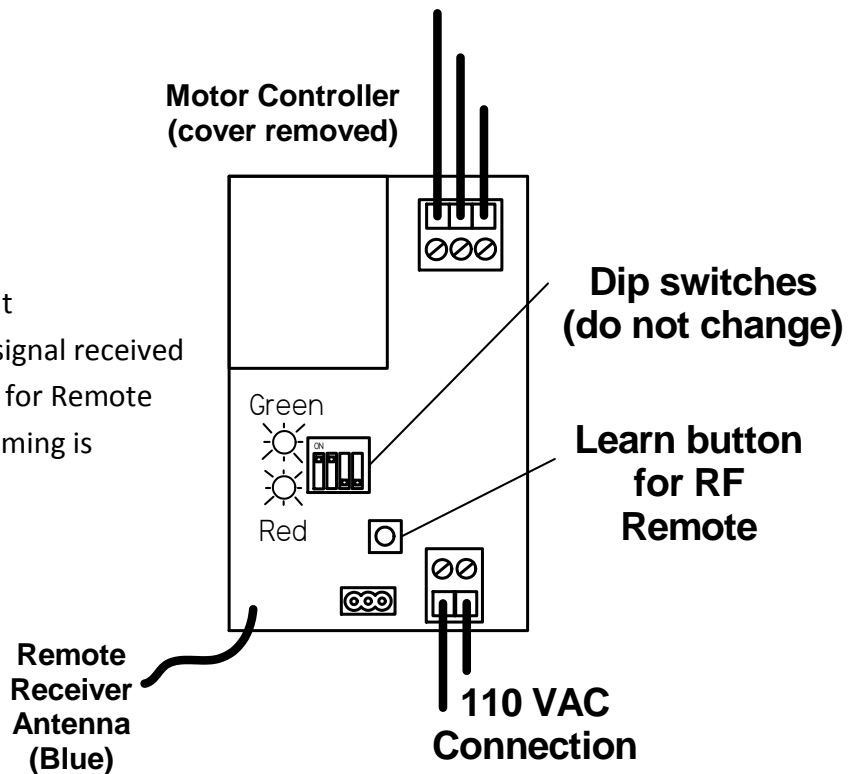
## Marvel Motor Remote Control Wire Diagram



## Programming of Hand Held Remote

### LED Light Conditions:

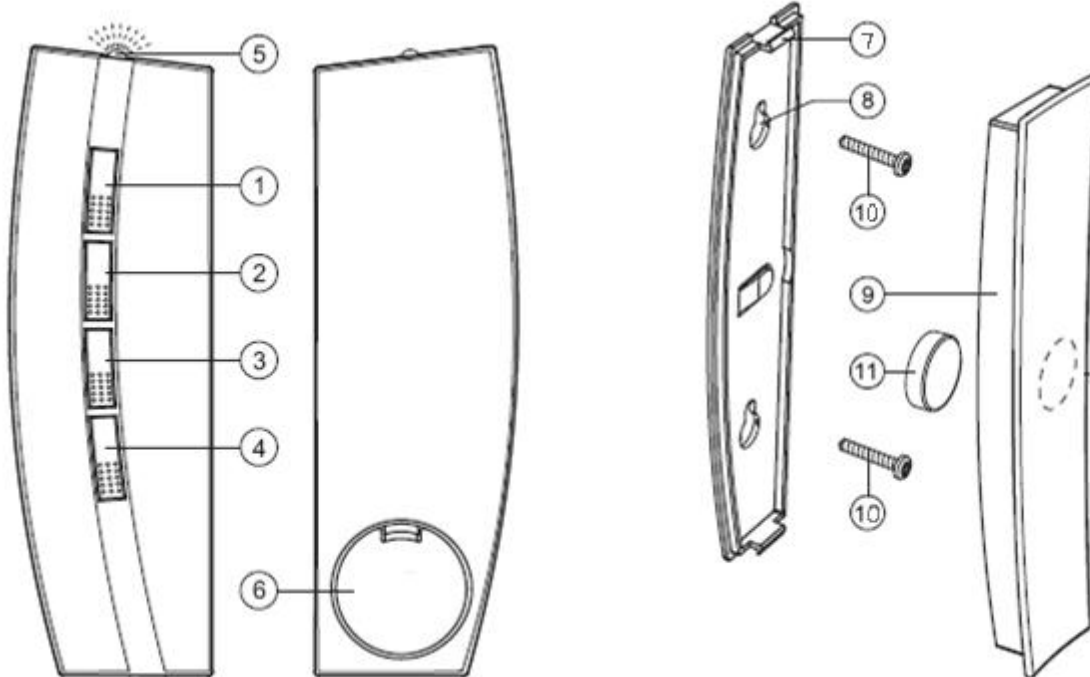
- Green Led “on” = 110vac present
- Green Led “blinking” = Remote signal received
- Red Led “on” = Receiver looking for Remote
- Red Led “off” = Remote programming is complete



### To Program the Hand Held Remote:

- 1) Insert 2 - CR2032 batteries into Remote (not included)
- 2) Press and hold “Learn” button on Motor Controller
  - a. Release button once the “Red” led lights.
- 3) Press and hold the top (open) end of a selected button on the remote. (button #1 is typical)
  - a. The “Red” led will blink and go out when programming is complete.
- 4) Reinstall cover on Motor Control Pack (2 screws)
  - a. Be Careful not to pinch any wires.
- 5) Insert Motor Control Pack into double gang box and install cover plate. (Do Not Use A Metal Cover Plate)

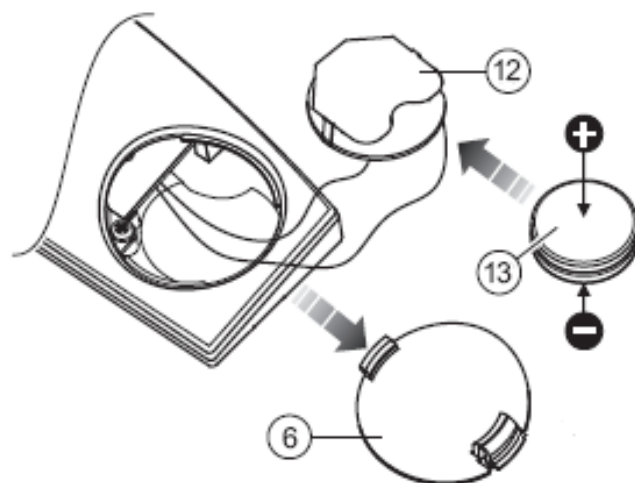
## Hand Held RF Remote & Wall Mount



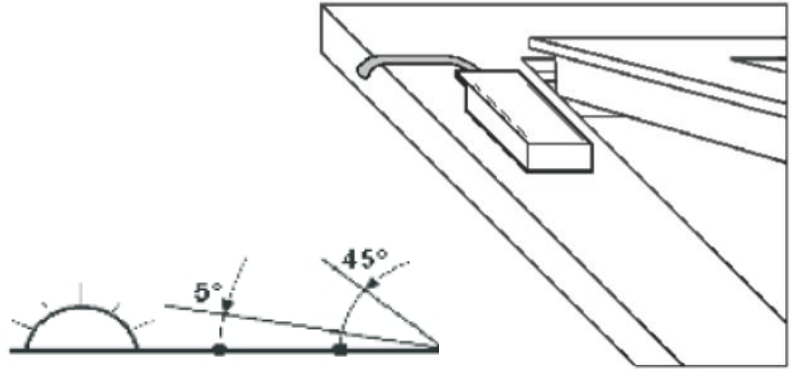
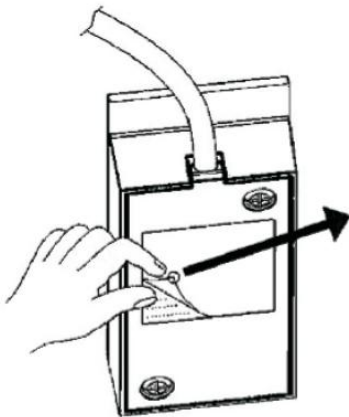
- 1) Push Button #1 (Up & Down)
- 2) Push Button #2 (Up & Down)
- 3) Push Button #3 (Up & Down)
- 4) Push Button #4 (Up & Down)
- 5) IR transmitter (not active)
- 6) Battery Door

- 7) Wall Mount (back)
- 8) Screw Hole (2)
- 9) Wall Mount (front)
- 10) Screws ( 2 supplied)
- 11) Magnet

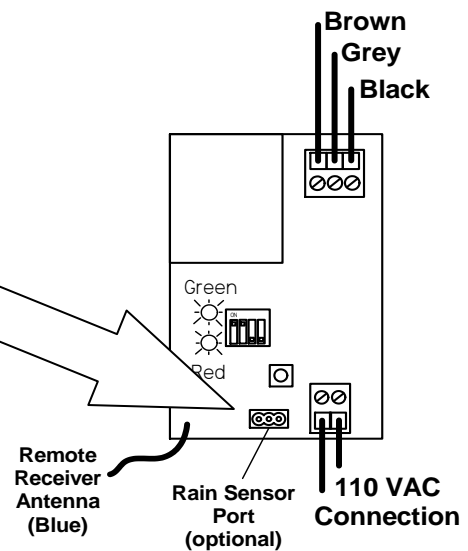
- 12) Battery Holder
- 13) Batteries, 2 - CR2032 (not included)



## Installation of Rain Sensor



Cable from Sensor



### To Install Rain Sensor:

- 1) Remove covering on applied adhesive tape.
- 2) Apply Rain Sensor to exterior roof surface.
  - a. The Sensor should be angled at between 5 and 45 degrees to allow water to run off.
  - b. The sensor can be applied to a separate plate (not included) for screw mounting.
- 3) Route Rain Sensor cable to Motor Control Pack location. (Double Gang Box)
- 4) Connect Rain Sensor plug (white mini plug) to three pin connector port as shown above.

Rain Sensor cable should not be cut or modified (lengthened)